

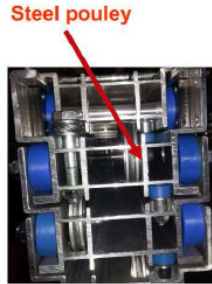
Multi-purpose material lift

Model BD 1 - 180 kg / 3 m

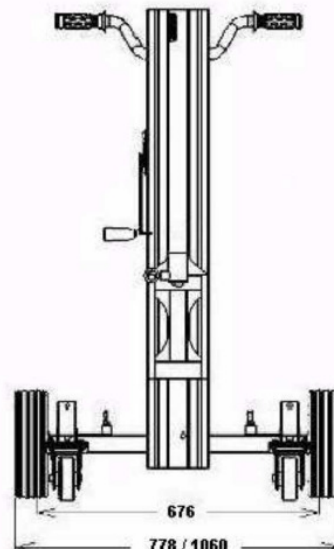
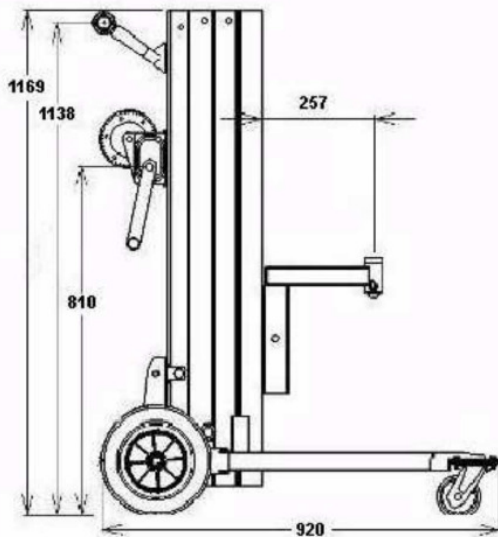
Small and portable,
it can easily be carried for immediate action on job site.

Accessories available

- Adjustable lifting fork
- Jib with hook
- Beam or roller shutter carrier



- Aluminum mast (anti-twist rails) with steel pulleys
- Immediate use on site
- Removable feet for easy transport in vehicle
- Manual winch with automatic brake and special lifting steel wire
- Easy transport on site
- Legs with swivel wheels Ø 76 mm and provided with a brake
- Two wheels Ø 250 mm with adjustable wheels base up to 1060 mm for improved stability with load
- Blocking mast during transport in vehicle
- Many accessories available (Fork - Platform - Jib with hook)



Accessories

Fork



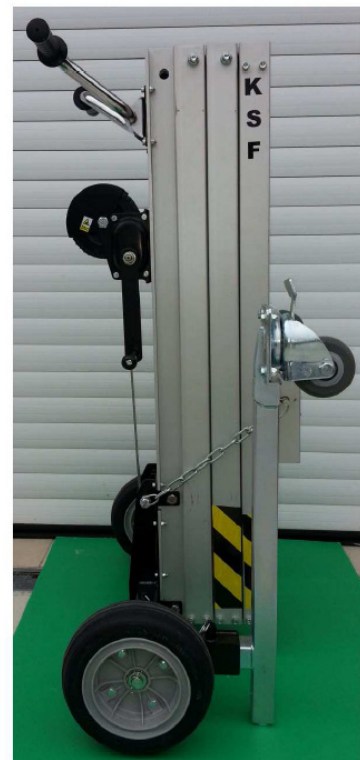
Jib with hook



Beam or roller shutter carrier



Multi-purpose material lift



Adjustable wheels base